

Suction diffuser- IOM

Installation

1. Install suction diffuser in piping with proper flow direction as indicated on diffuser.
2. Provide appropriate clearance in back of diffuser for removal of strainer (Fig. 2, Po no. 3).
3. Use support foot to adjust the height (Fig. 2, Po no. 7).
4. Flush system piping and operate pumps for initial circulation of system.
5. After initial system circulation is complete, remove and discard the temporary mesh screen (See Fig. 2, Po no. 6). Do not discard the permanent screen.

Installation

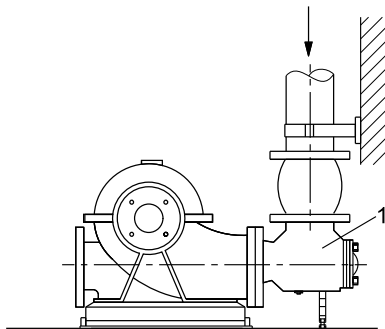


Fig. 1 Pump installation with suction diffuser (1)

TM04 0096 4907

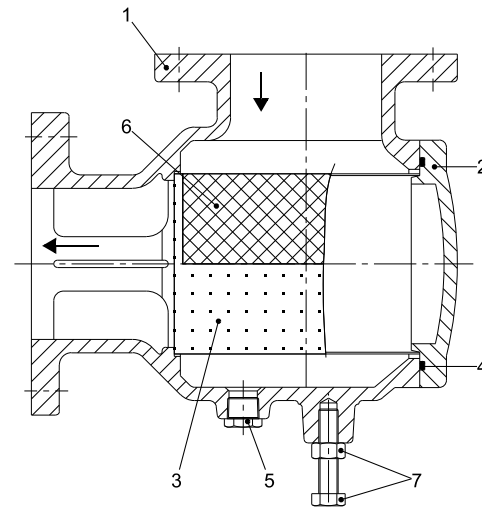
Caution

When using inertia base, the suction diffuser must also be footed on the base along with the pump.

Operation and Maintenance

Periodically (dependent on system conditions) open the suction diffuser and clean debris from strainer basket. Inspect strainer for holes. Replace if damaged.

Sectional drawing and components



TM04 7050 1510

Fig. 2 Sectional drawing of a suction diffuser

Po no.	Description	Po no.	Description
1	Body	5	Drain plug
2	Cover	6	Screen (temporary)
3	Screen (permanent)	7	Bolt, nut (support foot)
4	O-ring		